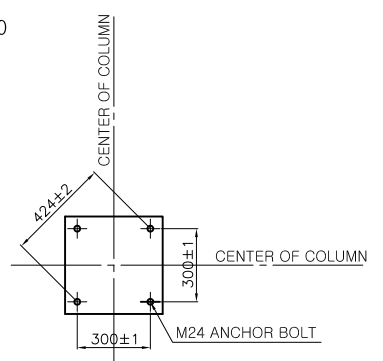
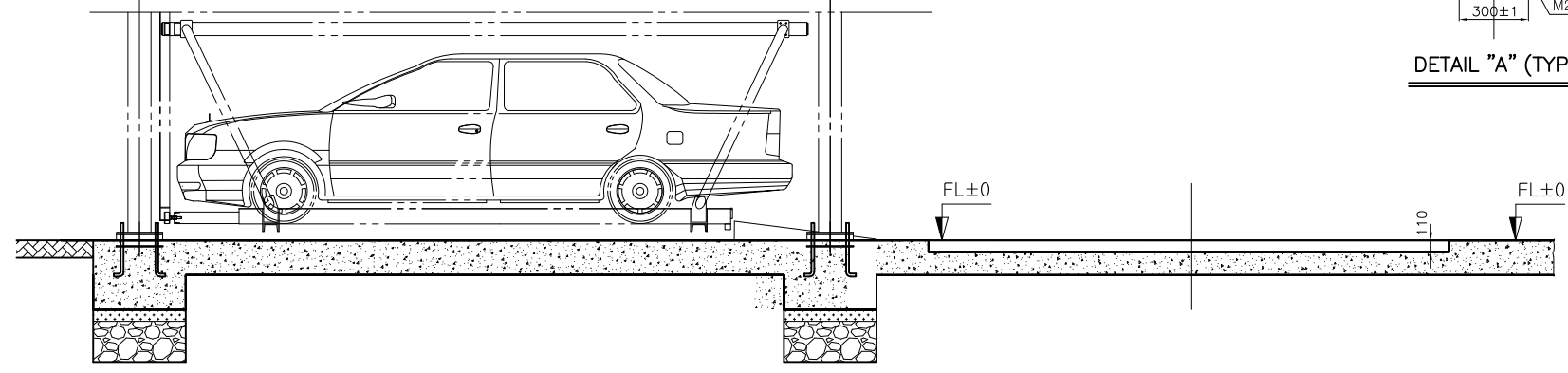


DETAIL "A"

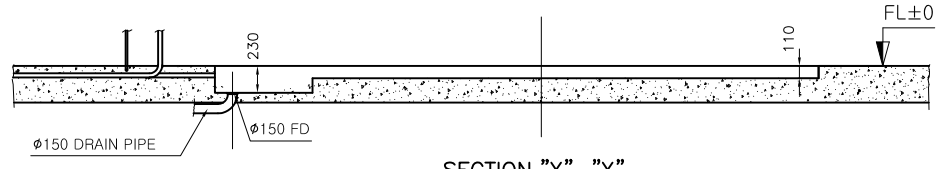
EMBED CONDUIT PIPE FOR ELECTRIC POWER (Ø34 PVC CONDUIT)
 CABLE : SEE THE TABLE OF 'POWER CABLES'
 CABLE SHALL BE 2 METER EXPOSED ON THE FLOOR



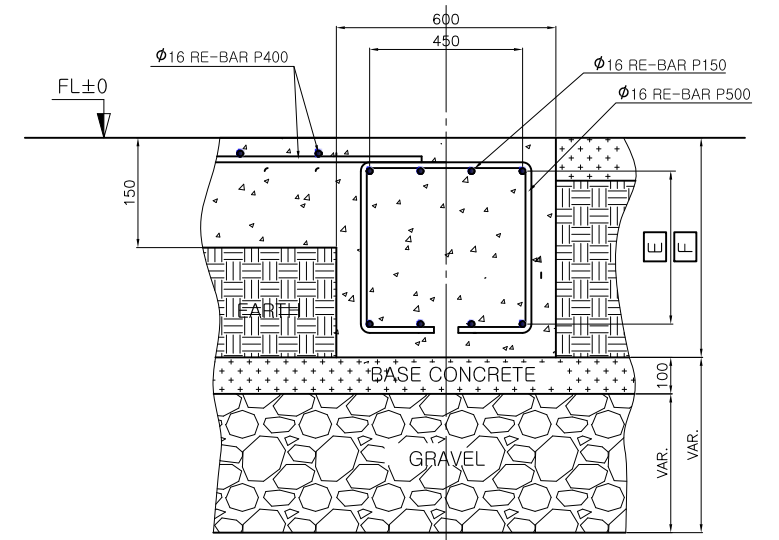
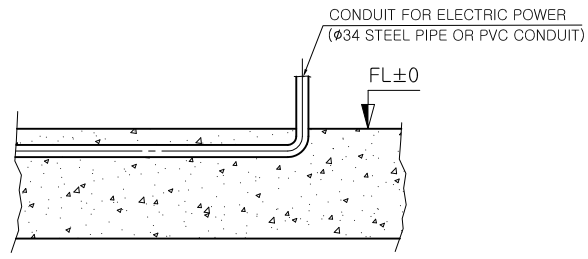
DETAIL "A" (TYP.)



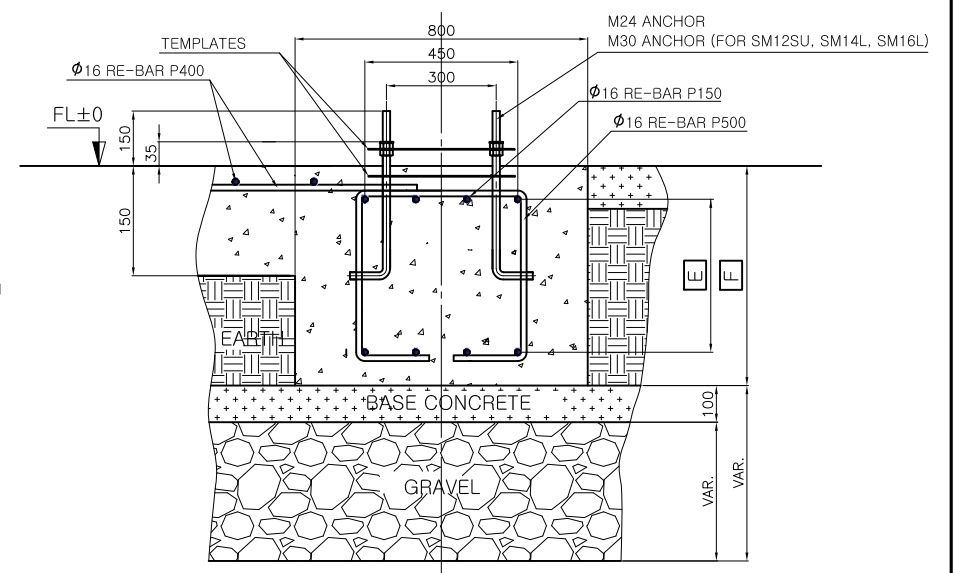
SECTION "X-X"



SECTION "C-C"



SECTION "A - A" (TYP.)



SECTION "B - B" (TYP.)

DIMENSION

MARKS	L-SERIES					SU-SERIES		
	SM8L	SM10L	SM12L	SM14L	SM16L	SM8SU	SM10SU	SM12SU
E	200	350	500	600	750	300	450	600
F	350	500	650	750	900	450	600	750

VERTICAL LOAD PER COLUMN (BY DD+LL, NOT APPLIED WL)

LOAD	L-SERIES					SU-SERIES		
	SM8L	SM10L	SM12L	SM14L	SM16L	SM8SU	SM10SU	SM12SU
LOAD(TON _t)	8.4	10.0	12.0	14.0	16.0	9.8	11.5	13.5
LOAD(KN)	82	98	118	137	157	96	112.5	131.8

CAUTION

MINIMUM GROUND STRENGTH (BEARING PRESSURE) SHALL BE 15TON PER SQUARE METER FOR FULL AREA OF FOUNDATION.

POWER CABLES

MODEL	L-SERIES					SU-SERIES		
	SM8L	SM10L	SM12L	SM14L	SM16L	SM8SU	SM10SU	SM12SU
MOTOR (KW)	7.5	7.5	7.5	11	15	7.5	7.5	11
CABLE	8SQ	8SQ	8SQ	14SQ	16SQ	8SQ	8SQ	14SQ

CABLE SHALL BE 4C+1E.

PROJECT TITLE	SMART PARKING FOUNDATION DRAWING (TURN TABLE TYPE)				
PROJECTION	SCALE	DATE	DESIGN	CHECKED	APPROVED
⊕	N/S	2015.07.02	WTDY		D.Y.PARK
DWG. NO	SM-FT00-00			REV.	⚠

DYPC DongYang PC, Inc.