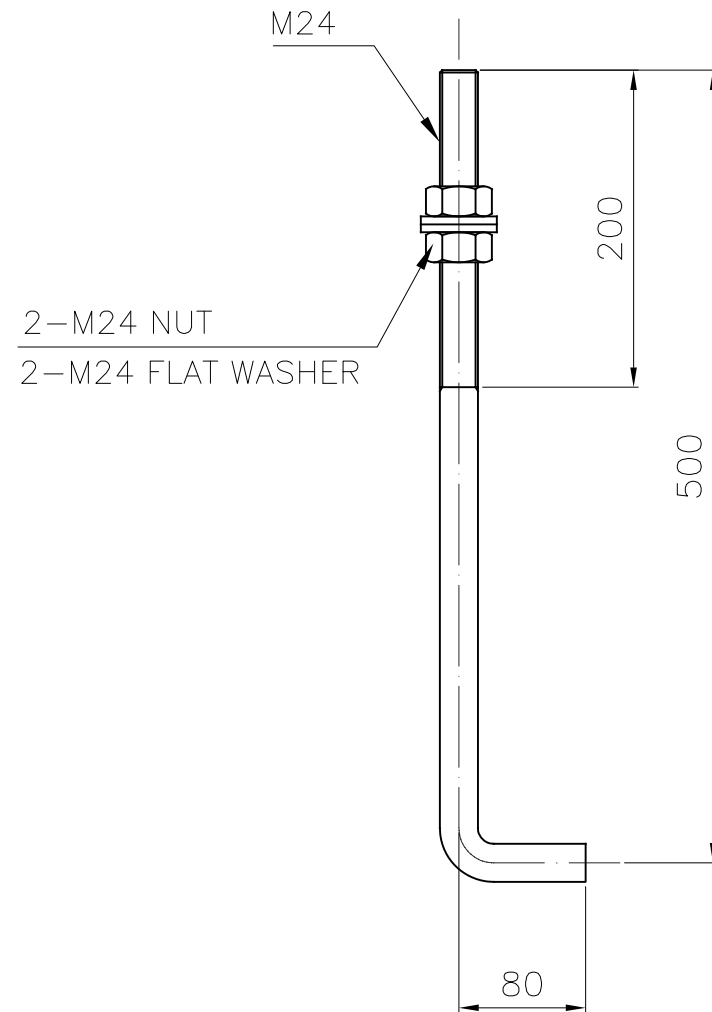


ANCHOR BOLT SET

MATERIAL : S35C (CARBON STEEL)
(CARBON 0.32%–0.38%)

QUANTITY : 16 SET

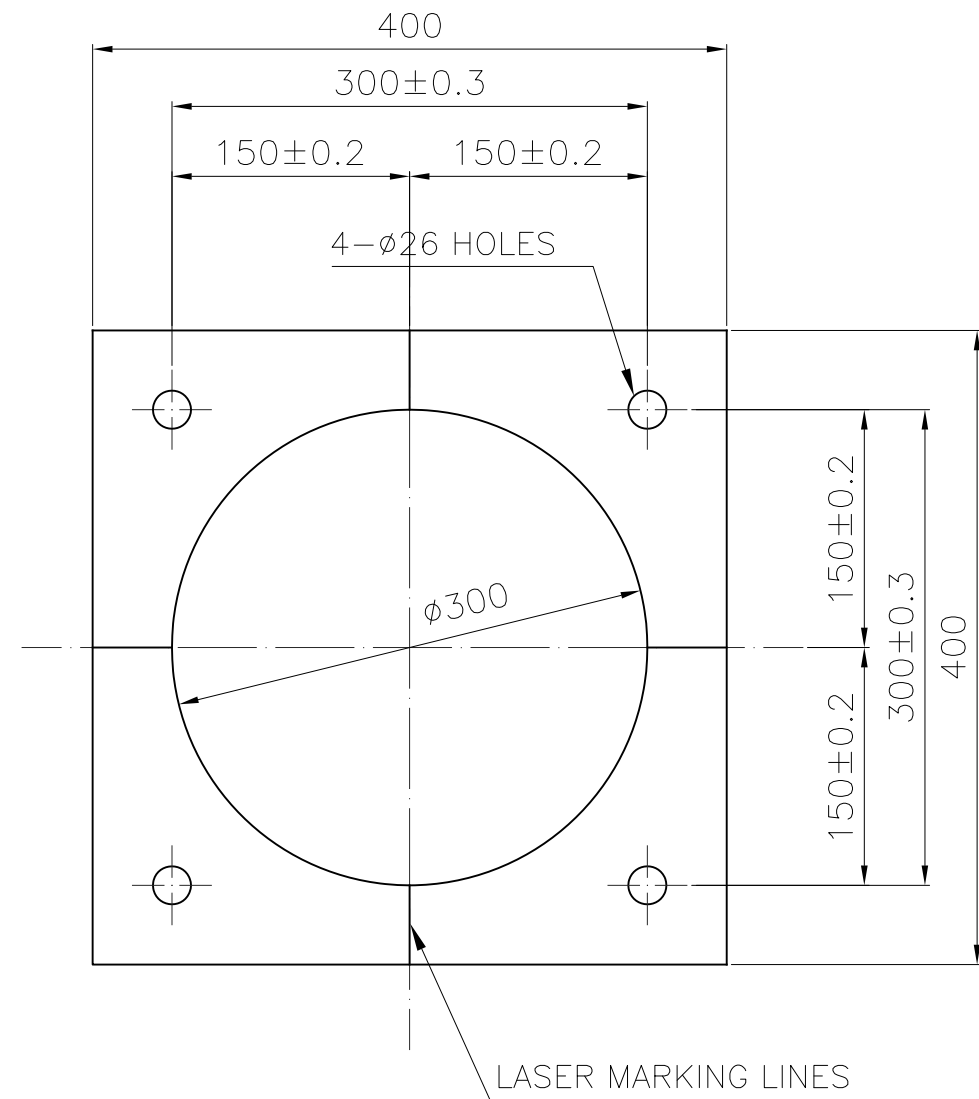


TEMPLATE

MATERIAL : SS41 (NORMAL STEEL PLATE)

THICKNESS: 2.3MM

QUANTITY : 8EA



PROJECT	WIROMET 001, POLAND				
DWG TITLE	SMART PARKING SM12L ANCHOR BOLT DRAWING				
PROJECTION	SCALE	DATE	DESIGEND	CHECKED	APPROVED
⊟ ⊕	N/S	2013.04.12	WTDY		D.Y.PARK
DWG. NO	SM12L-FH0000-01			REV.	0