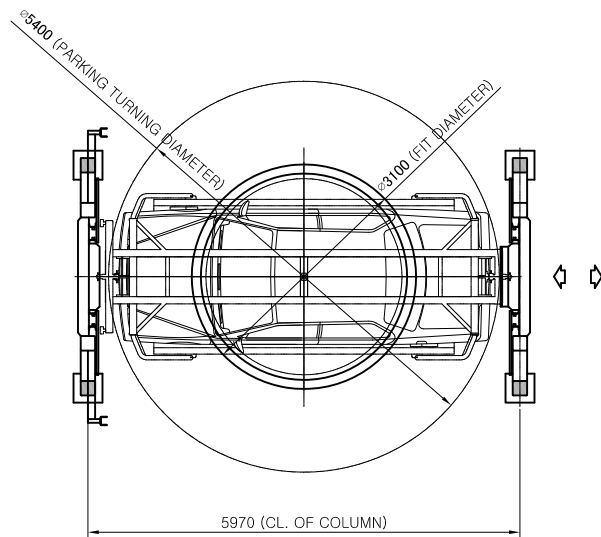
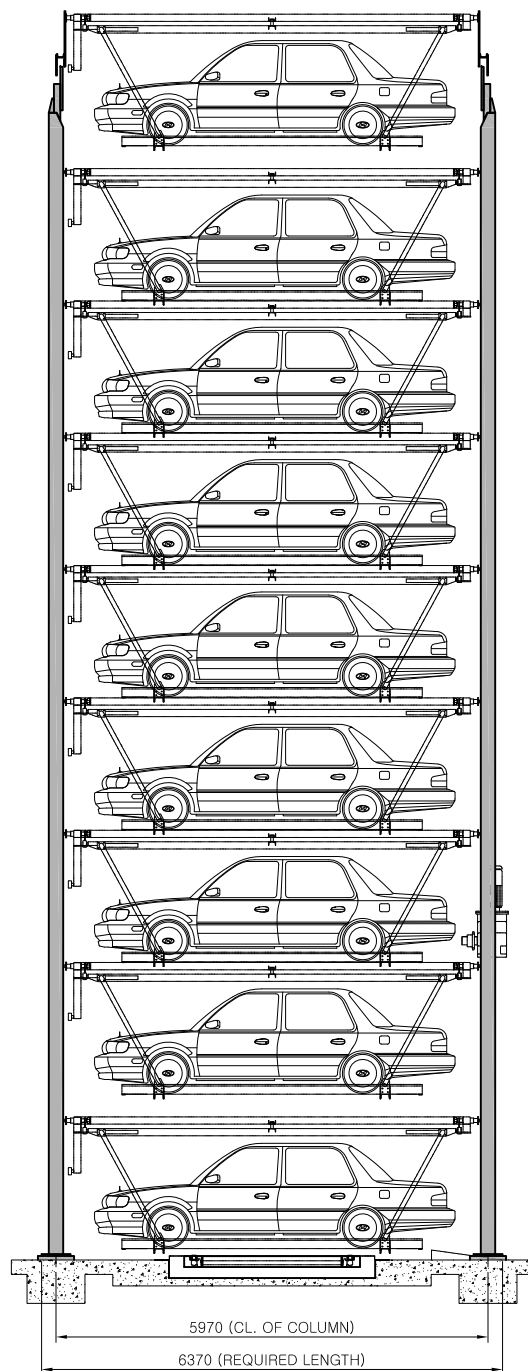


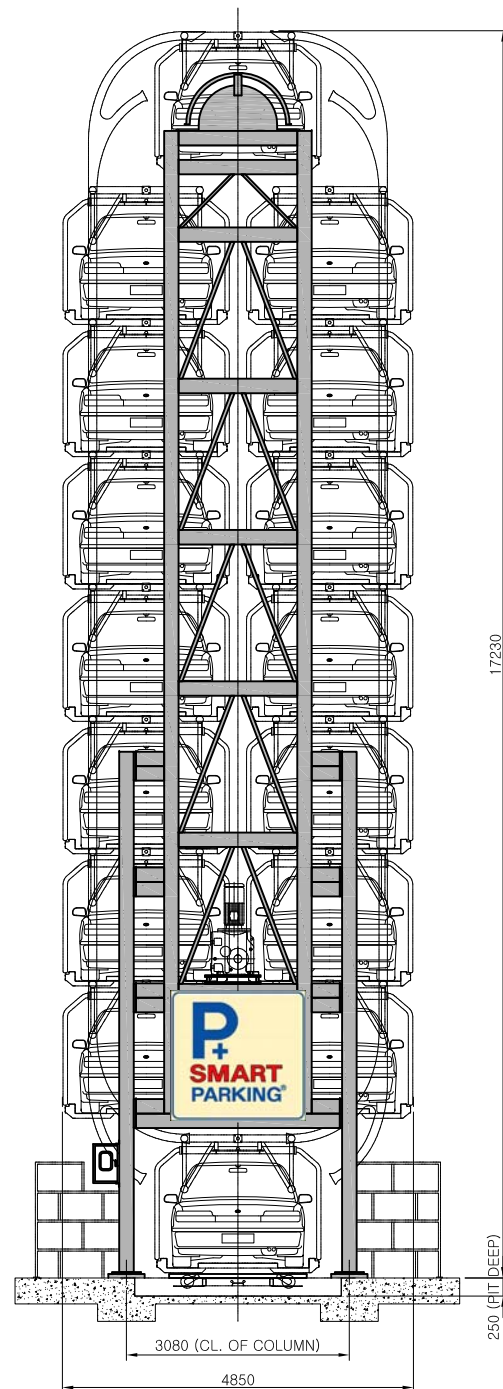
PLAN



PLAN FOR TURN TABLE



SIDE ELEVATION



FRONT VIEW

SPECIFICATION			
BRAND NAME	SMART PARKING®		
MODEL NO.	SM16LT		
TYPE	VERTICAL ROTARY PARKING		
PARKING CAPACITY	16 CARS		
AVAILABLE CAR	LENGTH	5,200mm	SEDAN CAR
	WIDTH	2,100mm	
	HEIGHT	1,600mm	
	WEIGHT	2,150kg	
MOTOR	11kw x 4P		
SPEED	5m/min		
POWER	AC380V x 3Ph x 60Hz		
KOREAN CERTIFICATE, SEOUL 1-4 PATENT 10-0485605, 10-1075262, 10-1108226 20-0326138, 0308440 CE CERTIFICATE, M8A 10 02 60033 002 UL & CUL CERTIFICATE, 20121015-E358106 GOST CERTIFICATE, C-KR.B.00721 ISO 9001-2008 3473			
<b>DYPC Dong Yang PC, Inc.</b> T. 02) 2638 7750 www.dysmart.com			

PROJECT	SMART PARKING® SM16LT				
PROJECTION	SCALE	DATE	DESIGEND	CHECKED	APPROVED
		2013.07.16	WTDY		D.Y.PARK
DWG. NO	SM16LT-0000-00				REV.

**DYPC Dong Yang PC, Inc.**