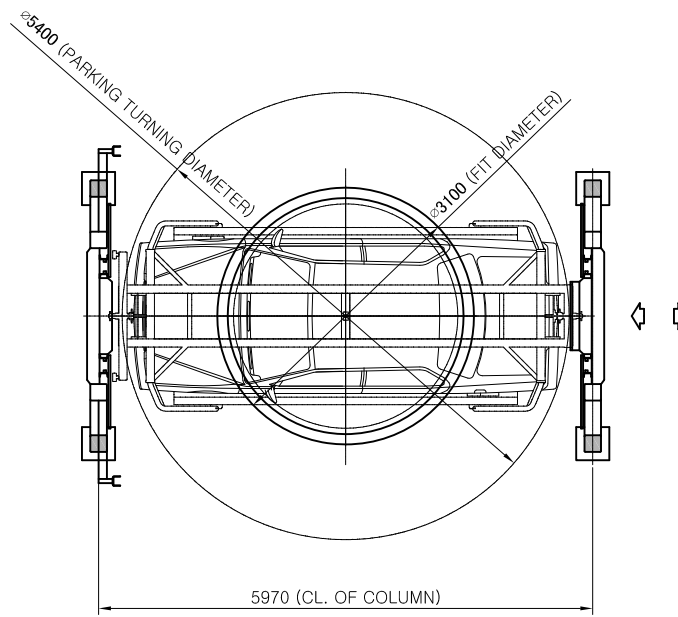
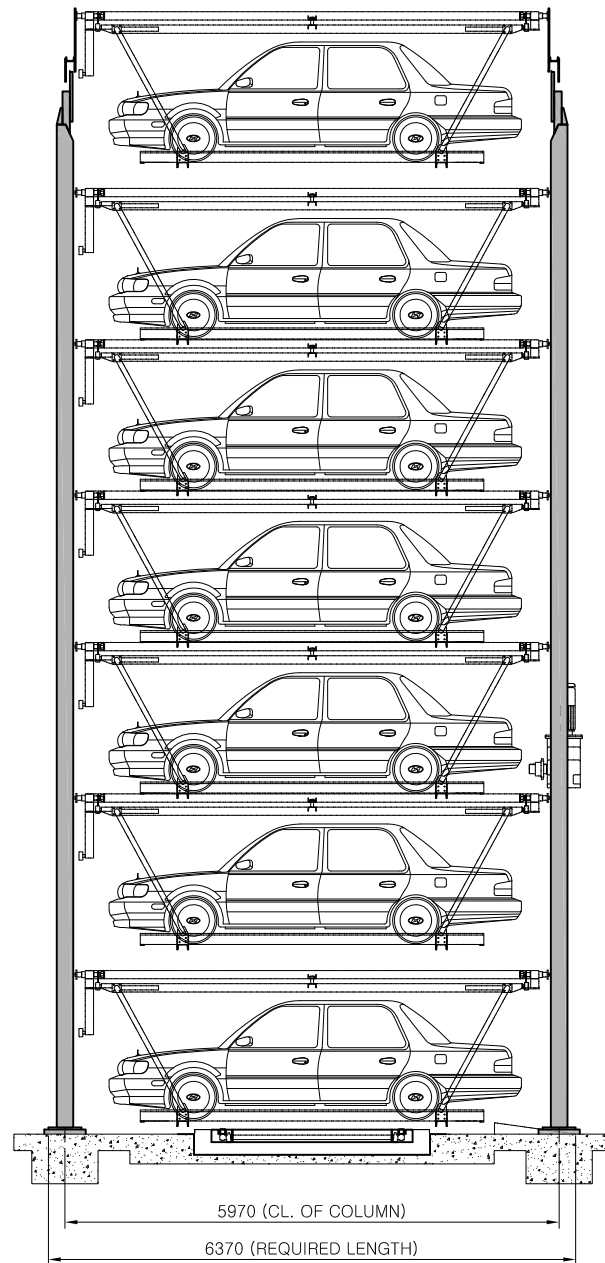


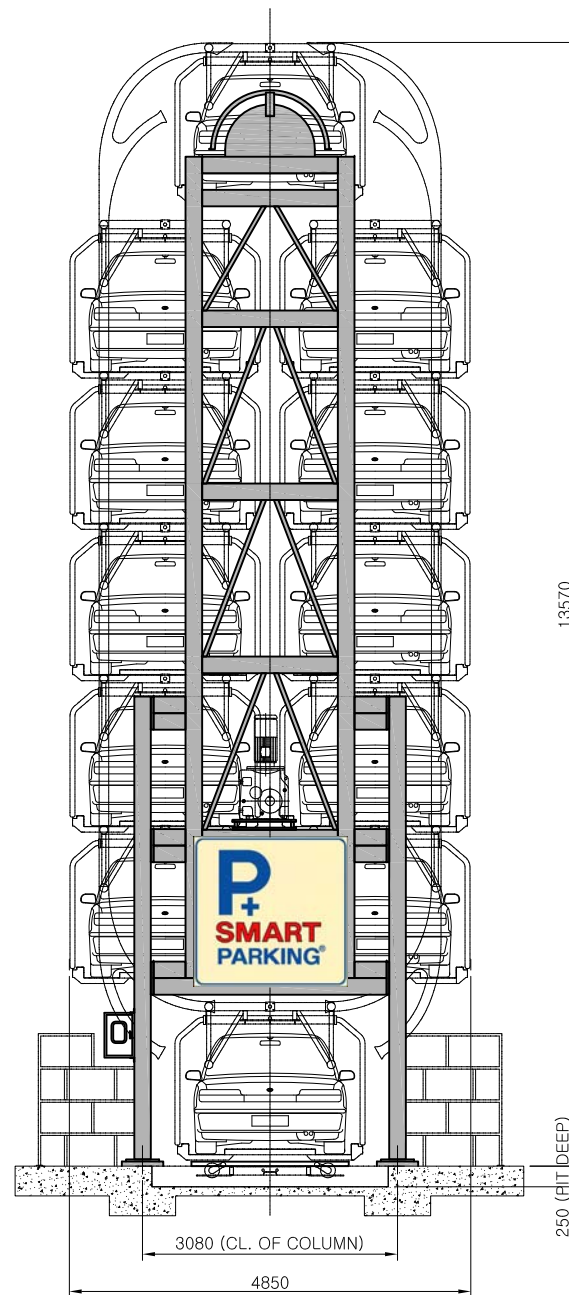
PLAN



PLAN FOR TURN TABLE


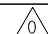


SIDE ELEVATION



FRONT VIEW

SPECIFICATION			
BRAND NAME	SMART PARKING®		
MODEL NO.	SM12LT		
TYPE	VERTICAL ROTARY PARKING		
PARKING CAPACITY	12 CARS		
AVAILABLE CAR	LENGTH	5,200mm	SEDAN CAR
	WIDTH	2,100mm	
	HEIGHT	1,600mm	
	WEIGHT	2,150kg	
MOTOR	7.5kw x 4P		
SPEED	3.6m/min		
POWER	AC380V x 3Ph x 60Hz		
KOREAN CERTIFICATE, SEOUL PATENT 10-0485605, 10-1075262, 10-1108226 20-0326138, 0308440 CE CERTIFICATE, M8A 10 02 60033 002 UL & CUL CERTIFICATE, 20121015-E358106 GOST CERTIFICATE, C-KR.B.00721 ISO 9001-2008 3473			
 T. 02) 2638 7750 www.dysmart.com			

PROJECT	SMART PARKING® SM12LT				
PROJECTION	SCALE	DATE	DESIGEND	CHECKED	APPROVED
		2013.07.16	WTDY		D.Y.PARK
DWG. NO.	SM12LT-0000-00			REV.	

**DYPC Dong Yang PC, Inc.**