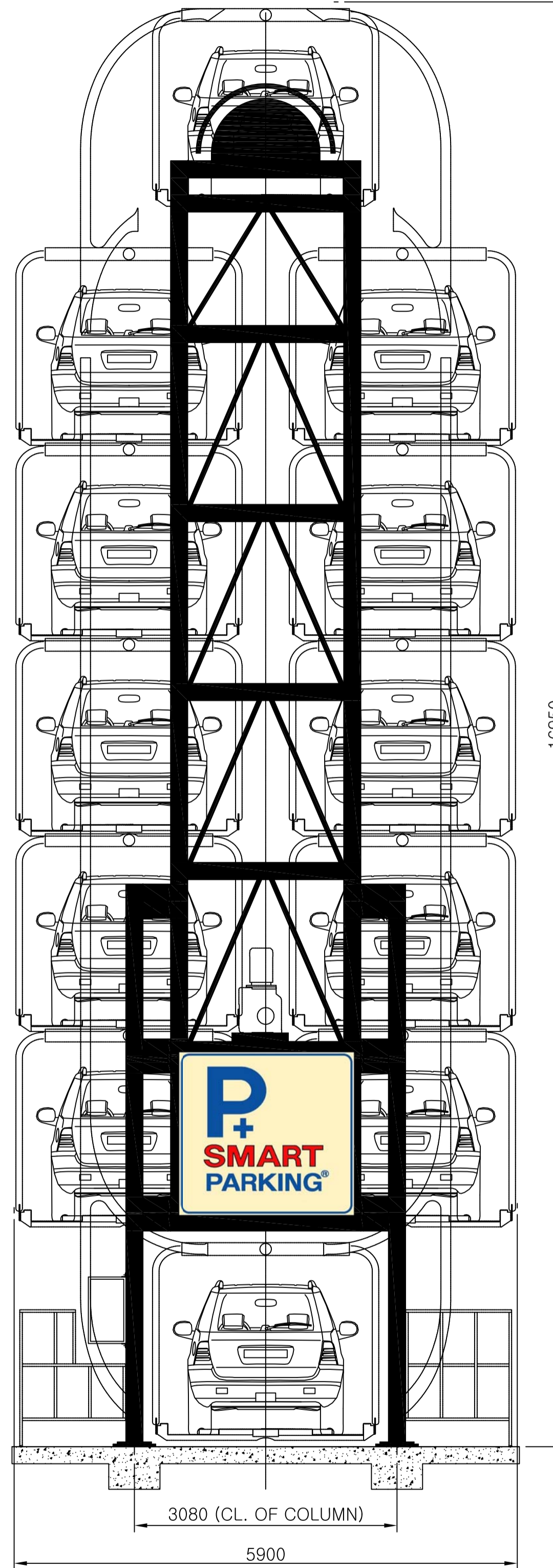
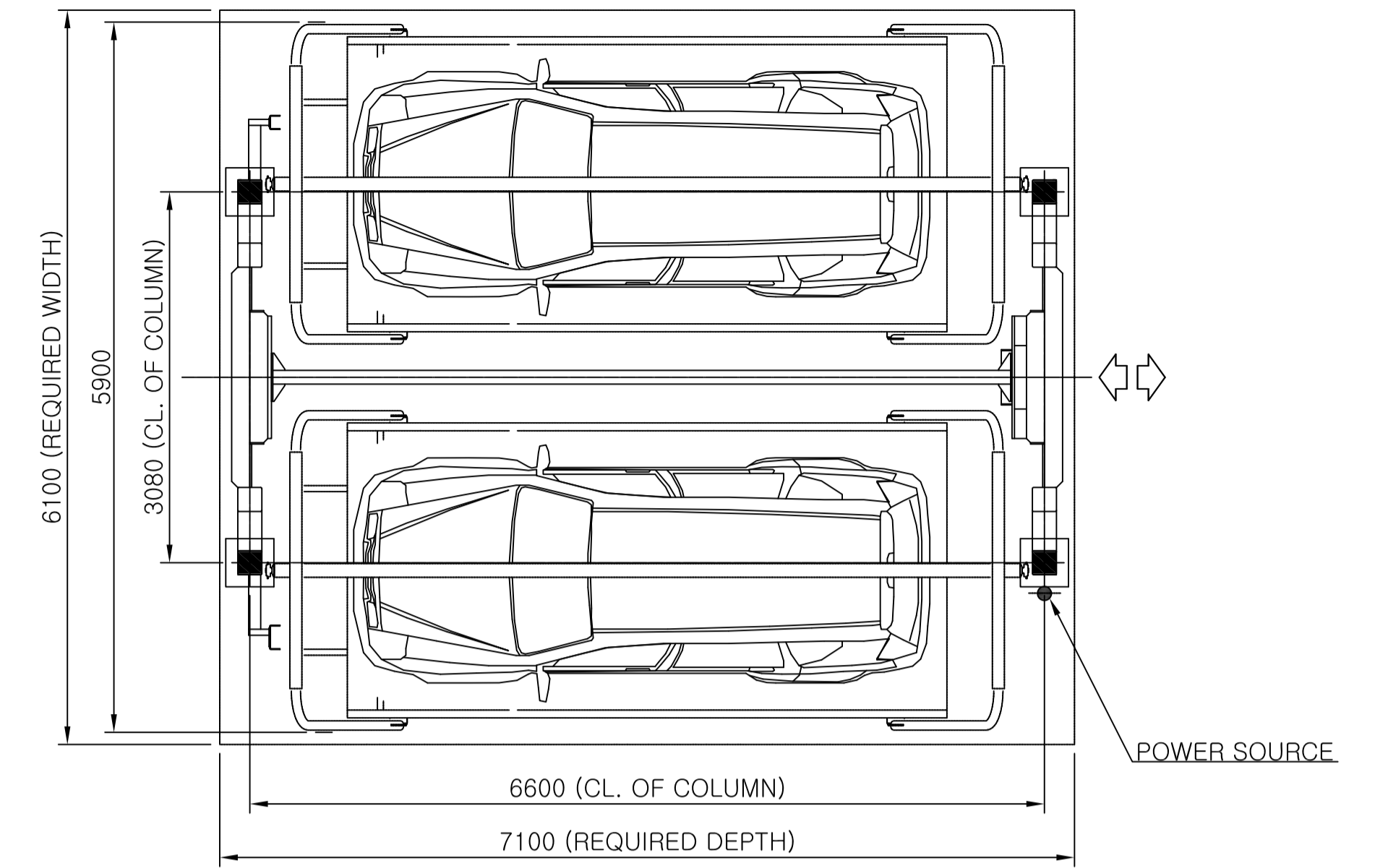


SIDE ELEVATION



FRONT VIEW



PLAN

SPECIFICATION			
BRAND NAME	SMART PARKING®		
MODEL NO.	SM12SUXX		
TYPE	VERTICAL ROTARY PARKING		
PARKING CAPACITY	12 CARS		
AVAILABLE CAR	LENGTH	5,700mm	CADILLAC - ESCALADE
	WIDTH	2,400mm	CHEVROLET - SUBURBAN
	HEIGHT	2,100mm	FORD - EXPEDITION
	WEIGHT	3,000kg	TOYOTA - LAND CRUISE
MOTOR	15kw x 4P		
CONTROL	INVERTER CONTROL		
SPEED	5m/min		
POWER	AC380/400/415V x 3Ph x 50/60Hz		
KOREAN CERTIFICATE, SEOUL 1-15 PATENT 10-0485605, 10-1075262, 10-1108226 20-0326138, 0308440 CE CERTIFICATE, M8A 10 02 6003 004 UL & CUL CERTIFICATE, 20121015-E358106 GOST CERTIFICATE, C-KR.B.00721 ISO 9001-2008, 2003-3473			
<b>DYPC Dong Yang PC, Inc.</b> T. 02) 2638 7750 www.dysmart.com			

PROJECT	SMART PARKING® SM12SUXX				
PROJECTION	SCALE	DATE	DESIGEND	CHECKED	APPROVED
⊕		2016.04.06	H.S.YOO	WTDY	D.Y.PARK
DWG. NO	SM12SUXX-0000-00			REV.	△

**DYPC Dong Yang PC, Inc.**