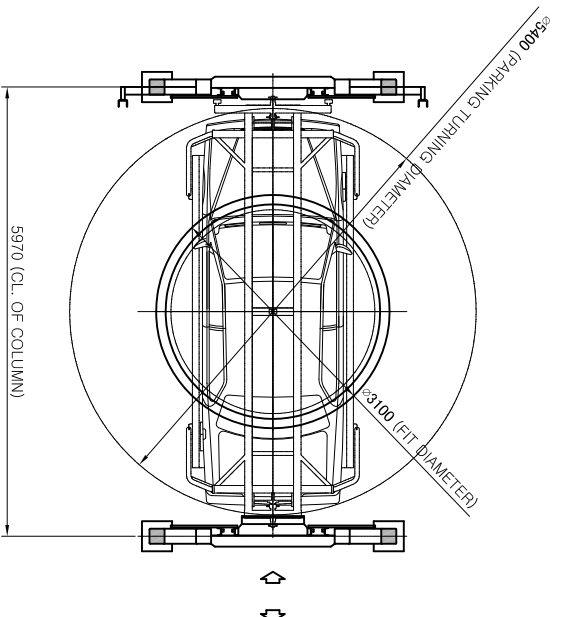
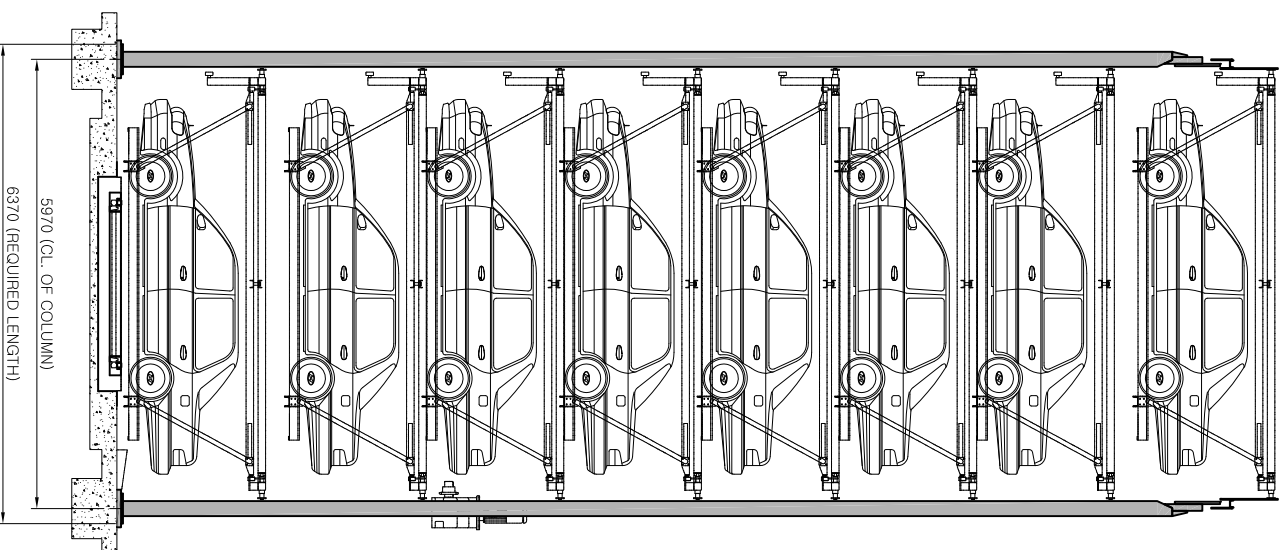


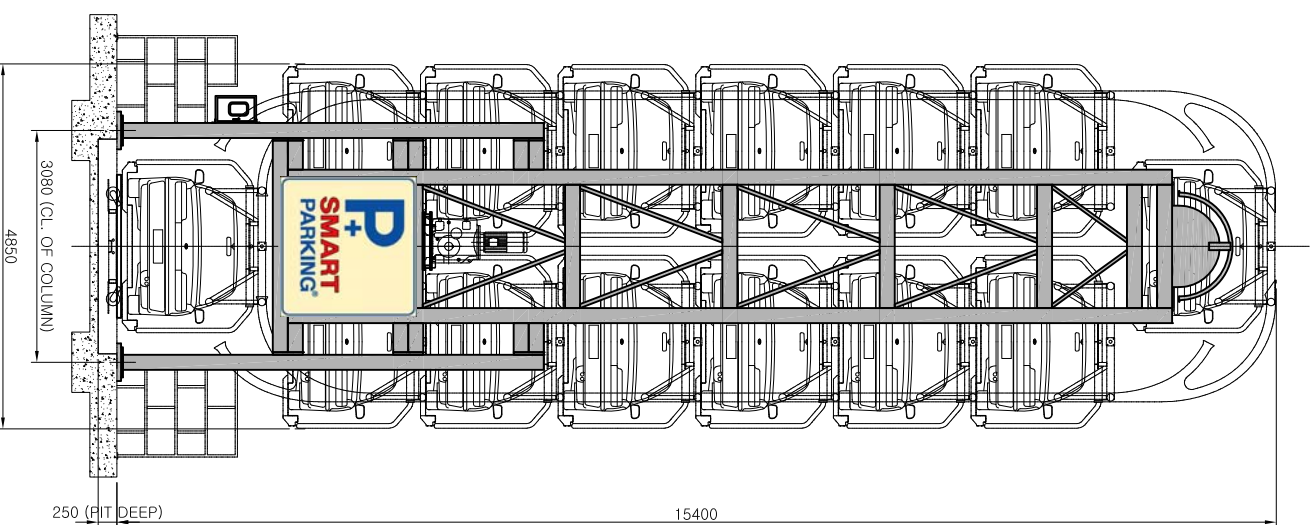
PLAN



PLAN FOR TURN TABLE



SIDE ELEVATION



FRONT VIEW

SPECIFICATION

BRAND NAME	SMART PARKING®		
MODEL NO.	SM14LT		
TYPE	VERTICAL ROTARY PARKING		
PARKING CAPACITY	14 CARS		
AVAILABLE CAR	LENGTH	5,200mm	
	WIDTH	2,100mm	
	HEIGHT	1,600mm	
	WEIGHT	2,150kg	
MOTOR	11kw x 4P		
SPEED	4.6m/min		
POWER	AC380V x 3Ph x 60Hz		

KOREAN CERTIFICATE, SEOUL  
 PATENT 10-0485605, 10-1075262, 10-1108226  
 20-0326138, 0308440  
 CE CERTIFICATE, MBA 10 02 60033 002  
 UL & CUL CERTIFICATE, 20121015-E358106  
 GOST CERTIFICATE, C-KRB.00721  
 ISO 9001-2008 3473

**DYPC** Dong Yang Pc, Inc.  
 T. (02) 2638 7750 www.dysmart.com

PROJECT	SMART PARKING® SM14LT			
PROJECTION	SCALE	DATE	DESIGNER	CHECKED
		2013.07.16	WTDY	
DWG. NO.	SM14LT-0000-00	REV.		
				APPROVED
				D.Y.PARK

**DYPC** Dong Yang Pc, Inc.