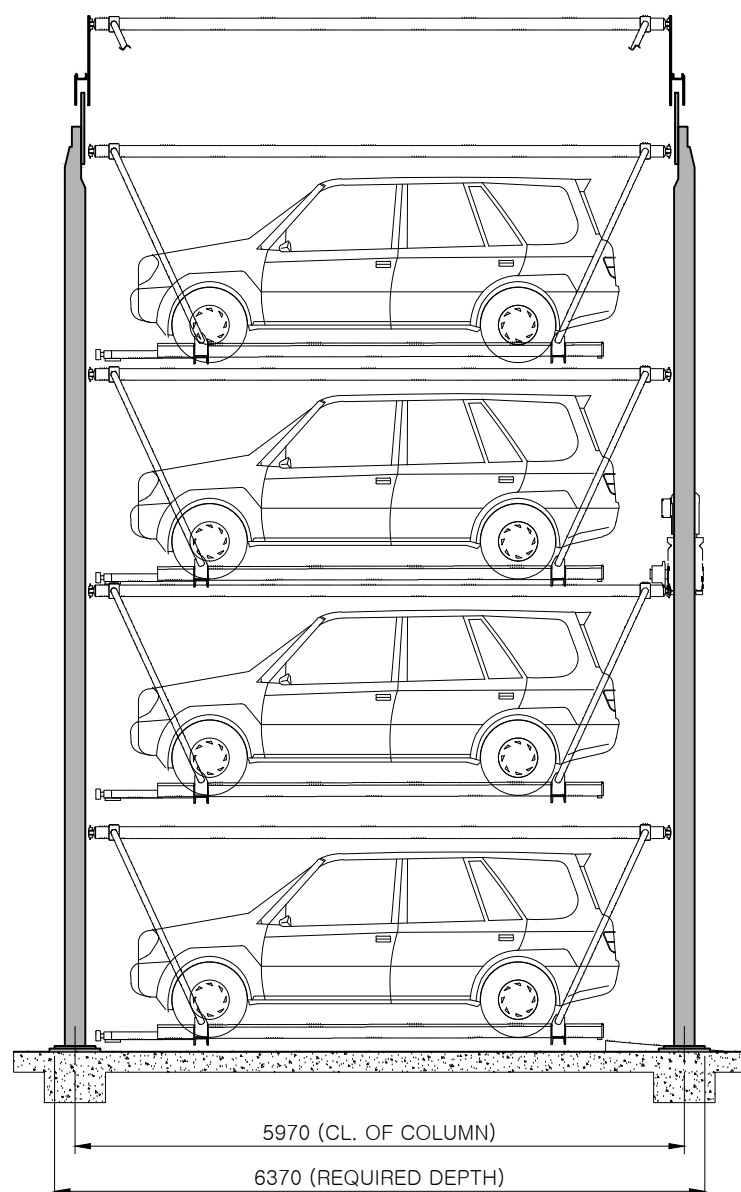
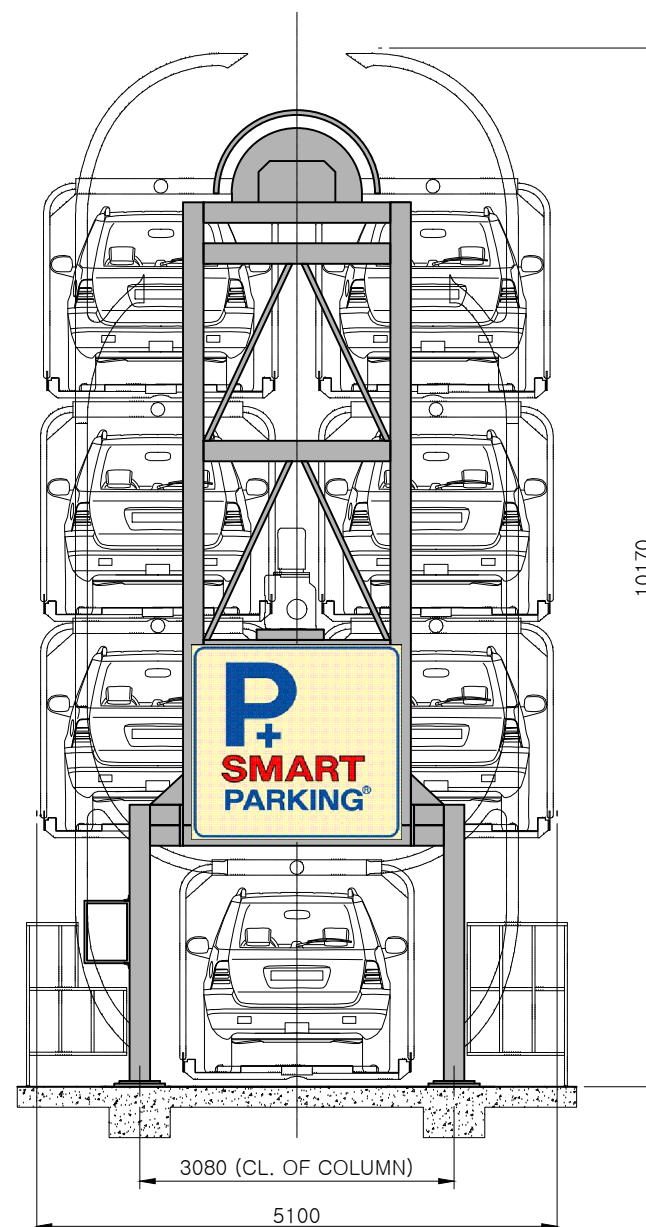


PLAN



SIDE ELEVATION



FRONT VIEW

SPECIFICATION			
BRAND NAME	SMART PARKING®		
MODEL NO.	SM7SU		
TYPE	VERTICAL ROTARY PARKING		
PARKING CAPACITY	7 CARS		
AVAILABLE CAR	LENGTH	5,200mm	SUV CAR
	WIDTH	2,100mm	
	HEIGHT	1,900mm	
	WEIGHT	2,400kg	
MOTOR	7.5kw x 4P		
SPEED	3.6m/min		
POWER	AC380V x 3Ph x 50Hz		
KOREAN CERTIFICATE, SEOUL 1-13, 1-27, 1-33 PATENT 10-0485605, 10-1075262, 10-1108226 20-0326138, 0308440 CE CERTIFICATE, M8A 10 02 6003 004 UL & CUL CERTIFICATE, 20121015-E358106 GOST CERTIFICATE, C-KR.B.00721 ISO 9001-2008, 2003-3473			
DYPC Dong Yang PC, Inc. T. 02) 2638 7750 www.dysmart.com			

PROJECT	SMART PARKING® SM7SU				
PROJECTION	SCALE	DATE	DESIGEND	CHECKED	APPROVED
		2013.07.16	RH JUNG	WTDY	D.Y.PARK
DWG. NO	SM7SU-0000-00			REV.	