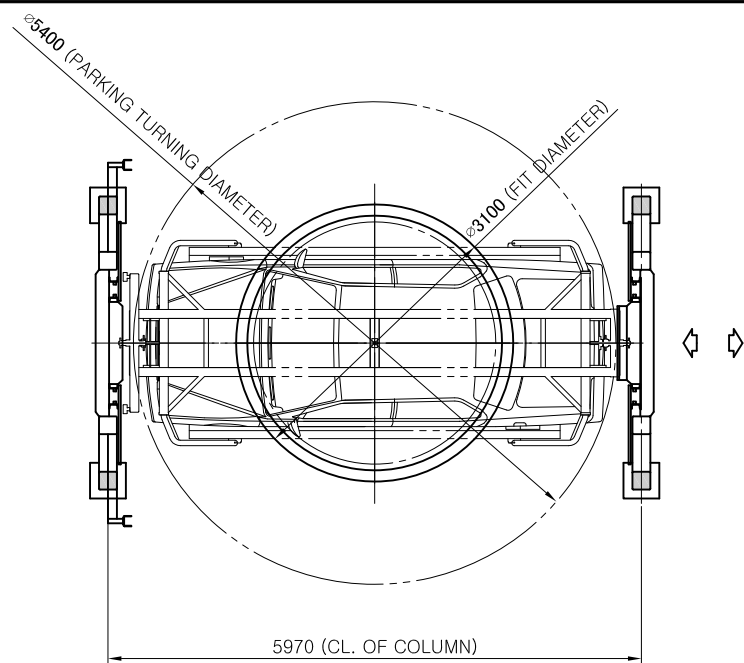
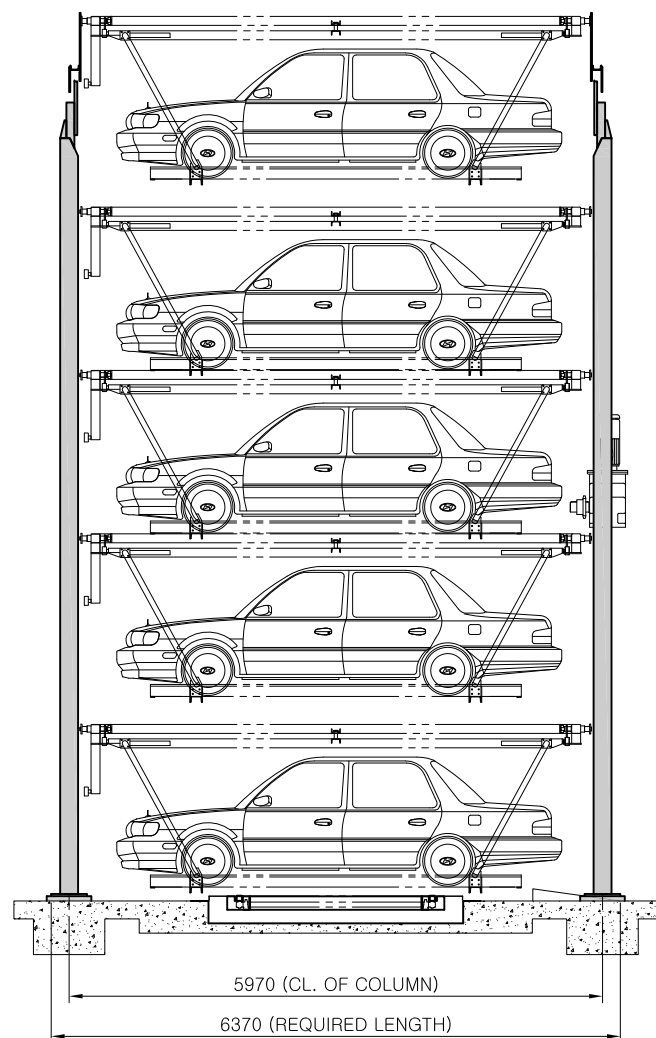


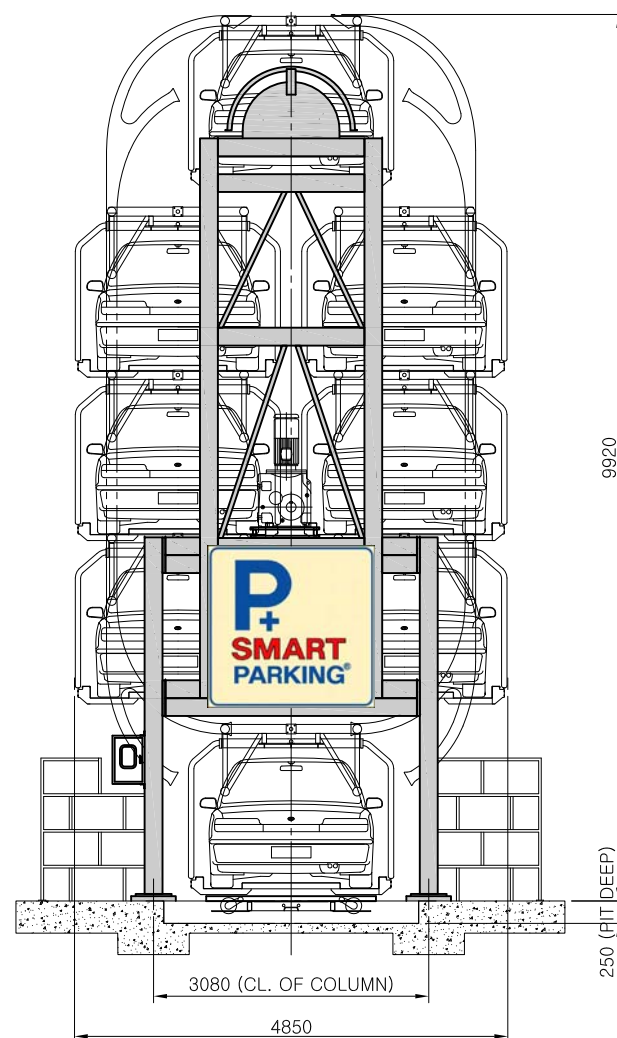
PLAN



PLAN FOR TURN TABLE



SIDE ELEVATION



FRONT VIEW

SPECIFICATION

BRAND NAME	SMART PARKING®		
MODEL NO.	SM8LT		
TYPE	VERTICAL ROTARY PARKING		
PARKING CAPACITY	8 CARS		
AVAILABLE CAR	LENGTH	5,200mm	SEDAN CAR
	WIDTH	2,100mm	
	HEIGHT	1,550mm	
	WEIGHT	2,150kg	
MOTOR	7.5kw x 4P		
SPEED	3.6m/min		
POWER	AC380V x 3Ph x 60Hz		

KOREAN CERTIFICATE, SEOUL 1-3
 PATENT 10-0485605, 10-1075262, 10-1108226
 20-0326138, 0308440
 CE CERTIFICATE, M8A 10 02 60033 002
 UL & CUL CERTIFICATE, 20121015-E358106
 GOST CERTIFICATE, C-KR.B.00721
 ISO 9001-2008 3473

DYPC Dong Yang PC, Inc.
 T. 02) 2638 7750 www.dysmart.com

PROJECT	SMART PARKING® SM8LT				
PROJECTION	SCALE	DATE	DESIGEND	CHECKED	APPROVED
⊕		2013.07.16	WTDY		D.Y.PARK
DWG. NO	SM8LT-0000-00			REV.	0

DYPC Dong Yang PC, Inc.